

Helicopter landing/operating area plan (centreline/amidships arrangement) template

Ship details

Date compiled _____

Name of ship _____

Company name _____

Max. deck height _____

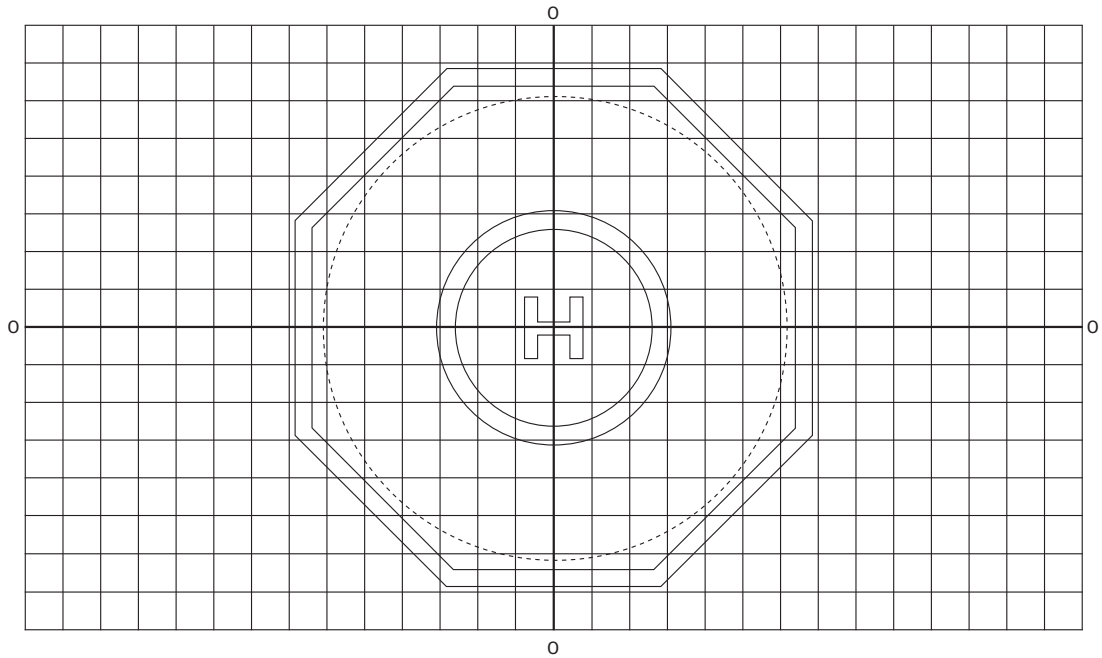
D value _____

T value _____

Contact name _____

Obstructions

Item	Description	Height



Indicate scale used:

